

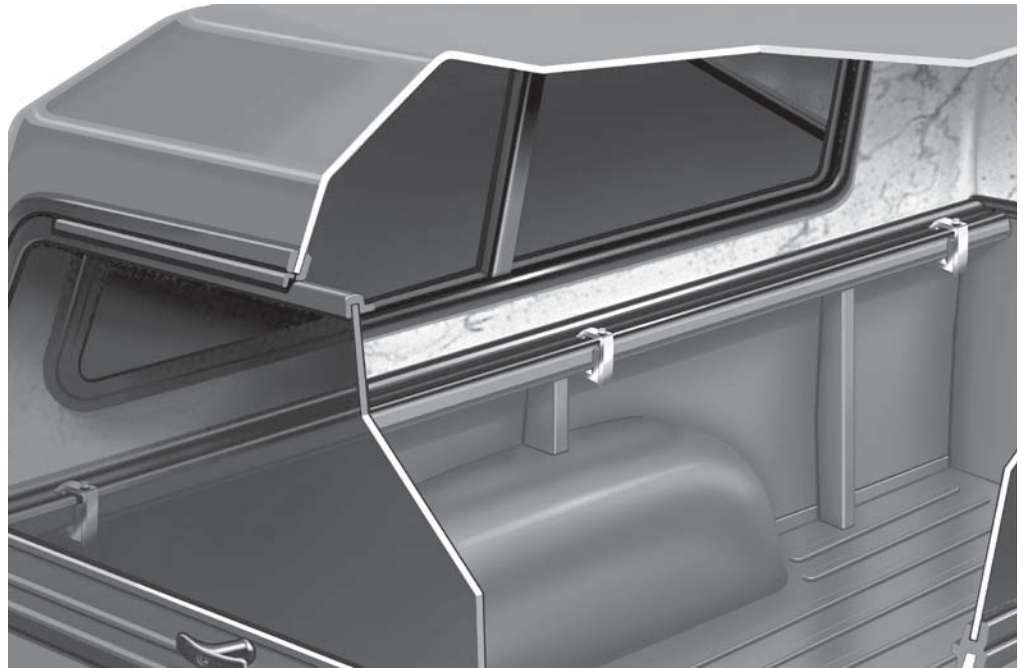
INNOVATIVE PRODUCTS FOR CHALLENGING APPLICATIONS



TITE • LOK[®] MOUNTING CLAMPS

Tite-Lok®

KEEPING THE LID ON...



LAVANTURE PRODUCTS IS THE NATIONAL DISTRIBUTOR FOR TITE-LOK® CLAMPS

No matter what the model...makeor application Tite-Lok manufactures a clamp to meet the need and Lavanture Products has them in stock for immediate shipment.

Made from high quality aluminum alloy, Tite-Lok clamps are built tough for long lasting service. These clamps are the best available....because LaVanture only distributes the best products and Tite-Lok is #1 in the industry. Check out the product listings on the following pages and the Truck Application Charts on pages 10/11. If you require a clamp for a special application, contact us for information on custom products.

TABLE OF CONTENTS

CLASSIC CLAMPS.....	PAGE 3
HINGED CLAMPS.....	PAGE 3
C-STYLE CLAMPS.....	PAGE 4
SHIPPING CLAMPS.....	PAGE 4
RAIL HUGGING CLAMPS.....	PAGE 5
ROCKING CLAMPS.....	PAGE 6
TONNEAU & LID CLAMPS.....	PAGE 6
TOYOTA CLAMPS.....	PAGE 7
FORD SPORT TRAC CLAMPS.....	PAGE 8
CHEVY SPORTSIDE CLAMPS.....	PAGE 8
FORD F150 CLAMPS.....	PAGE 9
FORD FLARESIDE CLAMPS.....	PAGE 9
SPECIALITY PRODUCTS.....	PAGE 9
APPLICATION CHARTS.....	PAGE 10/11





TL2001 TL2002



TL2007



TL2027M



TL2032

CLASSIC CLAMPS

SPECIFICATIONS AND DIMENSIONS

STOCK #	A.	B.	D.	C.	QTY
TL2001	0 to 7/8"	1 3/4"	–	1"	50 pcs.
TL2002	0 to 1 3/8"	1 3/4"	–	1"	50 pcs.
TL2007	0 to 1 3/8"	2 1/2"	–	1 3/4"	50 pcs.
TL2027M	0 to 1 1/8"	1 1/2"	15/16"	1/2"	50 pcs.
TL2032	0 to 1 3/8"	1 3/4"	–	1"	50 pcs.

Clamps are Shipped Unassembled.
To Order Assembled Add (A) to Part #



TL181



TL182



TL183



TL191



TL192 TL 193

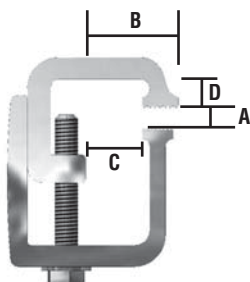
HINGED CLAMPS

SPECIFICATIONS AND DIMENSIONS

STOCK #	A.	B.	C.	QTY
TL181	0 to 7/8"	1 1/2"	3/4"	50 pcs.
TL182	5/8" to 1 3/8"	1 1/2"	3/4"	50 pcs.
TL183	5/16" to 7/8"	1 1/2"	3/4"	50 pcs.
TL191	0" to 5/8"	1 1/2"	3/4"	50 pcs.
TL192	5/8" to 1 3/8"	1 1/2"	3/4"	50 pcs.
TL193	5/16" to 7/8"	1 1/2"	3/4"	50 pcs.

Clamps are Shipped Unassembled.
To Order Assembled Add (A) to Part #

SOME CLAMPS ARE AVAILABLE BAGGED OR CARDED.
CALL FOR INFORMATION AND PRICING.



A: CLAMPING RANGE

Minimum and maximum the clamp opens

B: MAJOR REACH

Distance the clamp reaches out over the truck rail

C: MINOR REACH

Distance clamp reaches over the rail less the length of the toothed portion

D: DEPTH OF REACH

The distance the clamp reaches in a vertical measurement from the flat of the truck rail.

CLASSIC CLAMPS

TL2001 TL2002

Designed for mounting truck caps or covers with fiberglass or aluminum rails.

TL2007

A specialty clamp designed with extra reach for mounting truck caps with fiberglass or aluminum rails.
With a 1 3/4" cut width.

TL2027

Designed for mounting truck caps or covers with fiberglass or aluminum rails..

TL2032

Dual purpose for mounting truck caps or covers with fiberglass or aluminum rails. Equipped with a tie-down for hauling.
Unassembled Only.

HINGED CLAMPS

TL181

Dual purpose for mounting caps or covers with fiberglass or aluminum rails. Equipped with a tie-down for hauling.

TL182

Dual purpose for mounting caps or covers with 5/8" fiberglass rails only. Equipped with a tie-down for hauling.

TL183

For mounting with over-the-rail bedliners only. Equipped with a tie-down ring for hauling.

TL191

Designed for mounting caps or covers with aluminum or fiberglass rails.

TL192 TL193

Designed for mounting caps or covers with 5/8" fiberglass rails only.



WE ALSO STOCK
A FULL LINE OF
GAS SPRINGS



PH: 574-264-0658 • FAX: 800-348-7629

800-348-7625

C-STYLE & SHIPPING CLAMPS

TL117

Design for mounting aluminum rail truck caps or covers.

Unassembled Only

TL118 TL118NH

Design for mounting aluminum rail truck caps or covers.

Assembled Only

TL120 TL120NH

Designed for cap racks, shipping or mounting caps or covers with aluminum or fiberglass rails.

Assembled Only

TL122 TL123 TL123NH

Designed for mounting aluminum or fiberglass rail caps or covers.

Unassembled Only

TL123 TL123NH

Designed for mounting aluminum or fiberglass rail caps or covers.

Assembled Only

TL125 TL125NH

Designed for cap racks, shipping or mounting caps or covers with aluminum or fiberglass rails.

Assembled Only

TL125L

Designed for cap racks, shipping or mounting caps or covers with aluminum or fiberglass rails. Comes with holes for mounting a padlock. (Lock not included) *Assembled Only*

TL130 TL130NH

Designed for cap racks, shipping or mounting caps or covers with wood or fiberglass rails *Assembled Only*

TL135 TL140

Designed for shipping or mounting caps or covers with extra heavy wood rails. *Assembled Only*

TL150

Designed with a 2" cut width for shipping or mounting caps or covers with extra heavy wood rails. *Assembled Only*



TL117



TL118



TL118NH



TL119



TL120



TL120NH



TL122 TL123 TL123NH



TL125 TL125NH



TL125L



TL130 TL130NH



TL135



TL140-W2-5

C-STYLE & SHIPPING CLAMPS

SPECIFICATIONS AND DIMENSIONS

STOCK #	A.	B.	C.	QTY
TL117	0 to 1 3/4"	1 1/2"	3/4"	150 pcs.
TL118	0 to 1 3/4"	1 1/2"	3/4"	100 pcs.
TL118NH	0 to 1 3/4"	1 1/2"	3/4"	100 pcs
TL119	0 to 2 1/2"	1 7/8"	1 3/8"	100 pcs.
TL120A	0 to 2"	2 3/16"	1 1/4"	50 pcs.
TL120NH	0 to 2"	2 3/16"	1 1/4"	50 pcs.
TL122	0 to 2 1/2"	2 3/16"	1 1/4"	100 pcs.
TL123A	0 to 2 1/4"	2 3/16"	1 1/4"	50 pcs.
TL123NH	0 to 2 1/4"	2 3/16"	1 1/4"	50 pcs.
TL125A	0 to 2 1/2"	2 3/16"	1 1/4"	50 pcs.
TL125NH	0 to 2 1/2"	2 3/16"	1 1/4"	50 pcs.
TL125L	0 to 2 1/2"	2 3/16"	1 1/4"	50 pcs.
TL130A	0" to 3"	2 1/4"	1 7/16"	50 pcs.
TL130NH	0" to 3"	2 1/4"	1 7/16"	50 pcs.
TL135A	1" to 3 1/2"	2 1/4"	1 7/16"	50 pcs.
TL140-W2-5	2 3/4" to 4"	2 9/32"	1 19/32"	50 pcs.
TL150-W2-5	4 1/4" to 5 1/2"	3 9/32"	2 19/32"	25 pcs.

(NH) No Handle Some Clamps are Available Bagged or Carded. CALL FOR INFORMATION AND PRICING



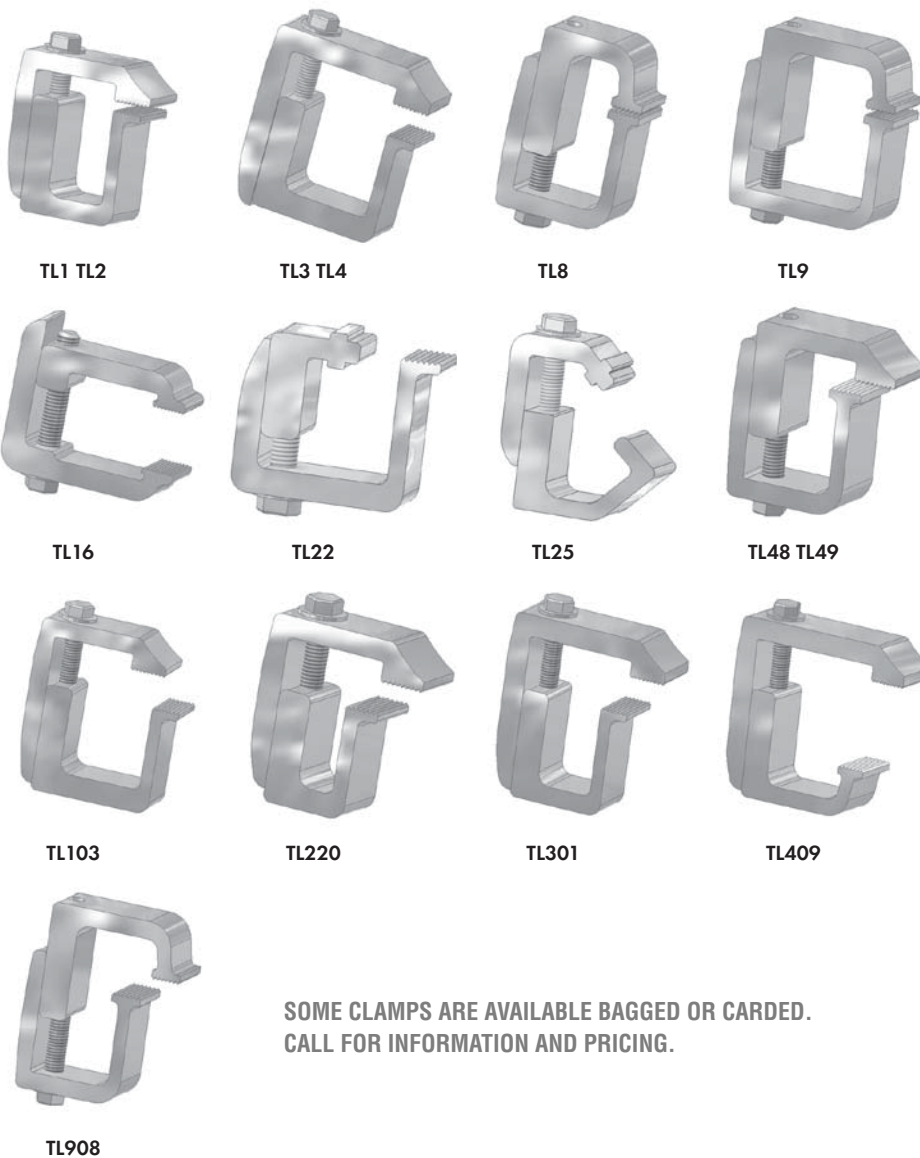
TL150-W2-5

SEE PAGE 12
FOR APPLICATION
CHART

SOME CLAMPS ARE AVAILABLE BAGGED OR CARDED.
CALL FOR INFORMATION AND PRICING.



sales@lavanture.com
www.lavanture.com



TL1 TL2

TL3 TL4

TL8

TL9

TL16

TL22

TL25

TL48 TL49

TL103

TL220

TL301

TL409

TL908

SOME CLAMPS ARE AVAILABLE BAGGED OR CARDED.
CALL FOR INFORMATION AND PRICING.

RAIL HUGGING CLAMPS

SPECIFICATIONS AND DIMENSIONS

STOCK #	A.	B.	C.	D.	QTY
TL1	0 to 1 1/2"	1 7/8"	1-1/8"	—	50 pcs.
TL2	0 to 1"	1 7/8"	1-1/8"	—	50 pcs.
TL3	0 to 1 3/4"	2 1/2"	1-3/4"	—	50 pcs.
TL4	0 to 1 3/4"	2 15/16"	2 3/16"	—	50 pcs.
TL8	0 to 1 1/4"	1 1/2"	7/8"	3/4"	50 pcs.
TL9	0 to 2 3/16"	2 3/16"	1 5/8"	3/4"	50 pcs.
TL16	0 to 1 1/2"	2 3/16"	1 1/2"	—	50 pcs.
TL22	—	—	—	—	50 pcs.
TL25	—	—	—	—	50 pcs.
TL48	0 to 1 1/4"	2"	1 3/8"	7/8"	50 pcs.
TL49	0 to 1 1/4"	2"	1 3/8"	1 5/8"	50 pcs.
TL1/3	0 to 2"	1 7/8"	1 1/8"	1 3/4"	50 pcs.
TL220	0 to 1 1/4"	1 7/8"	1 1/8"	5/8"	50 pcs.
TL3/1	0 to 2"	2 1/2"	1 3/4"	1 1/8"	50 pcs.
TL409	7/8" to 2 1/2"	2 15/16"	2 3/16"	1 5/8"	50 pcs.
TL908	0 to 1 1/4"	2 3/16"	1 5/8"	7/8"	50 pcs.

Clamps are Shipped Unassembled. To Order Assembled Add (A) to Part #

RAIL HUGGING CLAMPS

TL1 TL2

Designed for mounting truck caps or lids with fiberglass or aluminum rails.

TL3 TL4

Designed for mounting truck caps or lids with fiberglass or aluminum rails.

TL8

Designed for mounting truck caps or lids with fiberglass or aluminum rails.
Century & Leer 500

TL9

Designed for mounting truck caps or lids with fiberglass or aluminum rails, when extra reach is needed.

TL16

Pinch clamp designed for mounting caps or lids with rails that angle down into bed.

TL22 TL22U

Designed for mounting truck caps or lids with slotted rail design.

TL25U

Designed for mounting caps or lids with slotted rail design. Unassembled Only

TL48 TL49

Low profile for mounting caps or lids with fiberglass or aluminum rails.

TL1/3

Designed for mounting caps or lids with fiberglass or aluminum rails when extra reach under the truck rail is required.

TL220

Designed for mounting caps or lids with fiberglass or aluminum rails

TL3/1

Designed for mounting caps or lids with fiberglass or aluminum rails when extra reach over the truck rail is required.

TL409

Designed as a shipping clamp.

TL908 TL908U

Designed for mounting caps or lids with fiberglass or aluminum rails.

SEE PAGE 12 FOR
APPLICATION CHART



PH: 574-264-0658 • FAX: 800-348-7629

800-348-7625

ROCKING CLAMPS

The top bracket rotates for easy installation without dismantling the clamp. (most applications)

TL102C

For mounting caps with fiberglass or aluminum rails. 1" cut width

TL101C TL103 TL105 TL106

Designed for mounting truck caps with fiberglass or aluminum rails.

w/ 2 1/2" Bolt add (W) to part #

TL107

Designed for mounting truck caps with fiberglass or aluminum rails.

TL1043

Designed with a TL103 bracket and a TL101 base for mounting truck caps with fiberglass or aluminum rails.

w/ 2 1/2" Bolt add (W) to part #

TL1031 TL1031U

Designed with a TL1031 bracket and a TL101 base for mounting truck caps or lids when extra reach is required.

1997 OR NEWER FORD

w/ 2 1/2" Bolt add (W) to part #

TONNEAU & LID CLAMPS

TL2021

For mounting tonneau covers and lids with flat rails. 1" cut width

TL2022

For mounting tonneau covers / lids, with a 5/16-18 threaded hole for mounting gas shocks. 1" cut width
Do Not Use for Mounting Truck Caps.

TL2027

Designed for mounting Century lids, Leer 500 and other lids with similar rails. Can Be Used for Mounting Truck Caps

TL2028

For mounting glass lids, primarily A.R.E. lids and other lids with similar rails.

TL3002

Designed for mounting tonneau covers. Clamp is 1/2" wide with a 5/16" screw.



TL101C TL102C



TL103



TL105



TL106



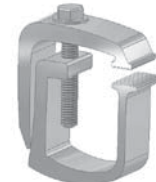
TL107



TL1043



TL1031



TLAD

ROCKING CLAMPS

SPECIFICATIONS AND DIMENSIONS

STOCK #	A.	B.	C.	D.	QTY
TL101C	0 to 7/8"	2"	1"	-	50 pcs.
TL102C	0 to 7/8"	2"	1"	-	50 pcs.
TL103	0 to 7/8"	2 3/4"	1 1/2"	-	50 pcs.
TL105	0 to 7/8"	1 3/4"	1"	0.854	50 pcs.
TL106	0 to 7/8"	2"	1 1/2"	0.854	50 pcs.
TL107	0 to 7/8"	2 1/4"	1 3/4"	0.854	50 pcs.
TL1043	0 to 7/8"	2 3/4"	1 1/2"	1 3/4"	50 pcs.
TL1031	0 to 7/8"	2 3/4"	1 3/4"	1"	50 pcs.
TLAD	0 to 1 3/4"	1 5/8"	1 1/8"	-	50 pcs.

Clamps are Shipped Unassembled. To Order Assembled Add (A) to Part #



TL2021



TL2022



TL2027 TL2028



TL33002

TONNEAU & LID CLAMPS

SPECIFICATIONS AND DIMENSIONS

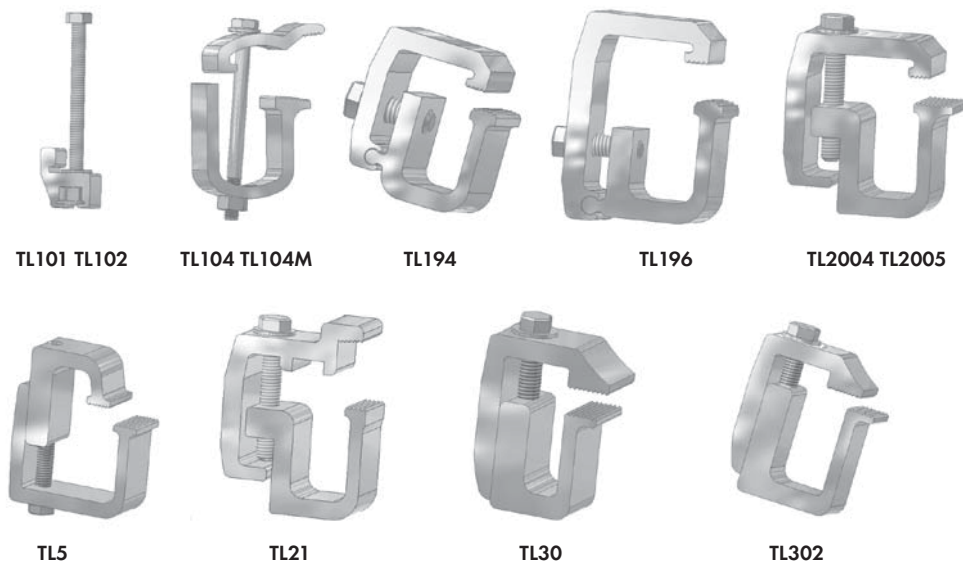
STOCK #	A.	B.	C.	D.	QTY
TL2021	0 to 3/4"	1 5/8"	7/8"	-	50 pcs.
TL2022	0 to 1/2"	1 1/4"	1"	-	50 pcs.
TL2027	0 to 3/4"	1 1/2"	1"	0.675	50 pcs.
TL2028	0 to 3/4"	1 1/2"	1"	1"	50 pcs.
TL33002	0 to 2 1/8"	2 5/8"	1 7/8"	-	48 pcs.

Clamps are Shipped Unassembled. To Order Assembled Add (A) to Part #

SOME CLAMPS ARE AVAILABLE BAGGED OR CARDED.
CALL FOR INFORMATION AND PRICING.



sales@lavanture.com
www.lavanture.com



TL101 TL102

TL104 TL104M

TL194

TL196

TL2004 TL2005



TL5



TL21



TL30



TL302

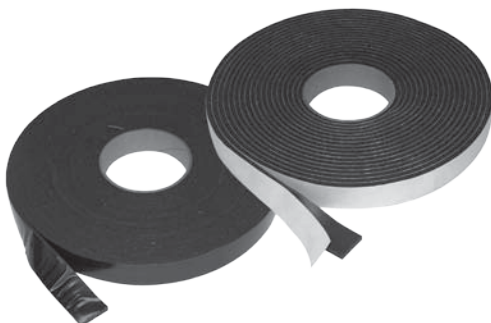
TOYOTA MOUNTING CLAMPS

SPECIFICATIONS AND DIMENSIONS					
STOCK #	A.	B.	C.	D.	QTY
TL101*	3" long	-	-	-	*20 pcs.
TL102*	3 1/2" long	-	-	-	*20 pcs.
TL104	-	-	-	-	50 pcs.
TL104M	-	-	-	-	50 pcs.
TL 194	0 to 5/8"	1 1/8"	3/4"	-	50 pcs.
TL196	5/16" to 7/8"	1"	3/4"	-	50 pcs.
TL2004	0" to 7/8"	1 1/2"	1"	-	50 pcs.
TL2005	0 to 1 3/8"	1 1/2"	1"	-	50 pcs.
TL5	0 to 1 1/4"	1 1/2"	7/8"	1 5/8"	50 pcs.
TL21	0 to 1 3/4"	1 1/2"	1"	-	50 pcs.
TL30	0 to 1 1/4"	1 3/8"	5/8"	-	50 pcs.
TL302	0 to 1 1/4"	1 3/8"	5/8"	1 1/8"	50 pcs.

Clamps are Shipped Unassembled. To Order Assembled Add (A) to Part #

*TL101 and TL102 are shipped unassembled 6 pcs. in a bag, 20 bags per carton

**SOME CLAMPS ARE AVAILABLE BAGGED OR CARDED.
CALL FOR INFORMATION AND PRICING.**



CAP TAPE

**Economical Seal for Truck Caps
Conditions Against Vibration and Trattles
Mylar or Paper Backed with Adhesive
3/16 thick in Widths from 1to 2.5
All Styles in Stock for Immediate Shipment**

*Call For Order Information
and Factory Direct Pricing*

TOYOTA CLAMPS

TL101 TL102

Used for mounting aluminum rail truck caps or covers with no clamping surface. (The rail extends fully into the truck bed.)

*TL101 w/ 3" bolt / TL102 w/ 3 1/2" bolt
Unassembled Bagged Only*

TL104 TL104M

For mounting aluminum railed covers to Toyota truck beds. Clamping range allows for "Over the Rail Bed Liners".

*TL104 for 3" rail TL104M for 2" rail
Unassembled Bagged Only*

TL194

Hinged clamp for mounting Toyota truck caps or covers with a limited clamping surface. (Cap rail extends partially into truck bed.)

TL196

Hinged clamp for mounting Toyota truck caps or covers with aluminum, fiberglass rails and/or "Over the Rail Bed Liners".

TL2004 TL2004

Classic design clamp for mounting Toyota truck caps or covers with aluminum or fiberglass rails and/or with "Over the Rail Bed Liners".

TL5

Rail hugging clamp for mounting Toyota truck caps or covers with aluminum or fiberglass rails. 3/4" Depth Bracket

TL21

Rail hugging Toyota speciality clamp
No Need for Drilling!!

TL30

Rail hugging Toyota clamp for mounting caps with limited clamping surface.

TL302

Rail hugging Toyota clamp for mounting caps or lids fiberglass or aluminum rails.



PH: 574-264-0658 • FAX: 800-348-7629

800-348-7625

FORD SPORT TRAC AND CHEVY SPORTSIDE CLAMPS (99 & Newer)

TL2091

For mounting aluminum or fiberglass railed covers to Chevy Sportside & Ford Sport Trac beds.

Unassembled Bagged Only

TL2092

For mounting truck caps and covers to Chevy Sportside & Ford Explorer Sport Trac truck beds.

Unassembled Bagged Only

TL2093

For mounting truck caps to Chevy Sportside & Ford Explorer Sport Trac truck beds with countersunk bolt for tonneau cover applications.

Unassembled Bagged Only

TL2094

For mounting aluminum or fiberglass railed covers to Chevy Sportside & Ford Explorer Sport Trac truck beds with countersunk bolt for tonneau cover applications.

Unassembled Bagged Only

TL2097

For mounting truck caps or covers to Chevy Sportside & Ford Explorer Sport Trac truck beds when extra reach is required.

Unassembled Bagged Only

TL111S

For mounting caps with flat rails to Ford Sport Trac & Chevy Sportside trucks.

Unassembled Bagged Only

TL111M

For mounting caps with flat rails to Ford Sport Trac & Chevy Sportside trucks requiring extra reach.

Unassembled Bagged Only

TL111SL

For mounting caps with tubed rails to Ford Sport Trac & Chevy Sportside trucks.

Unassembled Bagged Only

TL111LL TL111XL

For mounting caps with tubed rails to Ford Sport Trac & Chevy Sportside trucks requiring extra reach.

Unassembled Bagged Only

TL2067 TL2071

'98 or older Chevy Sportside Trucks.
Call for Information!!

TL3004

Chevy Composite Clamp.

Two Fronts and Two Backs Set.

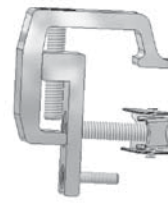
Assembled 24 sets per Carton



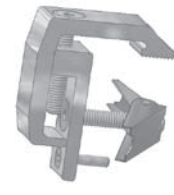
TL2091



TL2092



TL2093



TL2094



TL2097



TL111S



TL111M



TL111SL



TL111LL TL111XL

'98 OR OLDER CHEVY SPORTSIDE TRUCKS



TL2061



TL2062



TL2063



TL2067



TL2071

FORD SPORT TRAC AND CHEVY SPORTSIDE CLAMPS

SPECIFICATIONS AND DIMENSIONS

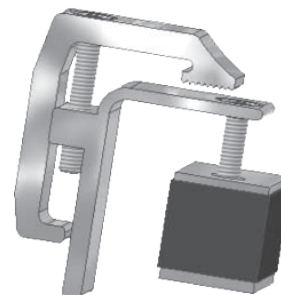
STOCK #	A.	B.	C.	QTY
TL2091	0-1 1/16"	1 3/4"	-	24
TL2092	0-1 5/16"	1 15/16"	1"	24
TL2093	1 5/16"	1 15/16"	1"	24
TL2094	1 1/16"	1 3/4"	-	24
TL2097	1 3/4"	2 1/2"	-	24
TL111S	7/8"	1 1/2"	-	24
TL111M	1 5/8"	2 1/8"	-	24
TL111SL	7/8"	1 1/2"	0.854	24
TL111LL	1 3/8"	2"	0.854	24
TL111XL	1 5/8"	2 1/8"	0.854	24

These Clamps are Shipped Unassembled and Bagged Only.

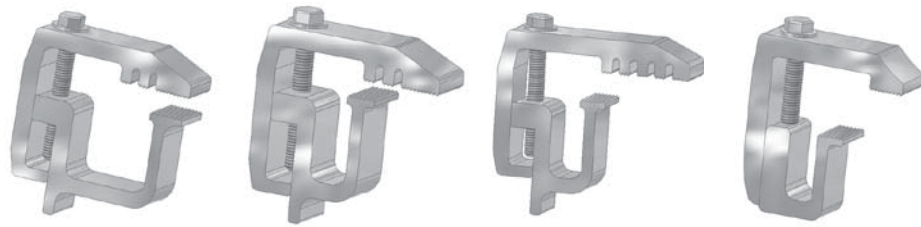
TL3004

CHEVY COMPOSITE CLAMP
Two Fronts and Two Backs Set

Assembled 24 sets per Carton



sales@lavanture.com
www.lavanture.com

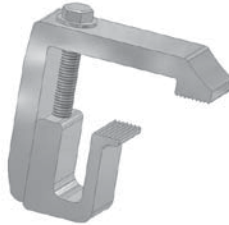


TL150L

TL150S

TL250S

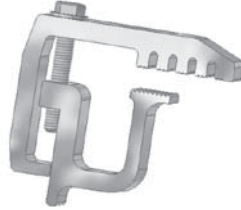
TL3/30



TL4/30



TL150



TL250

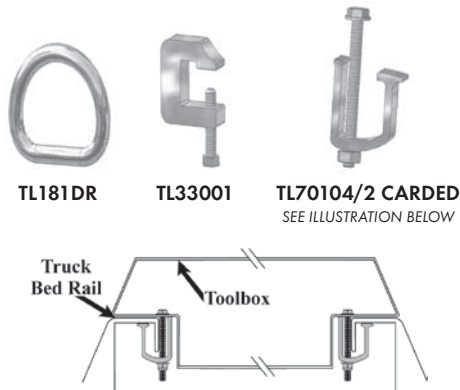
FORD F150 MOUNTING CLAMPS

SPECIFICATIONS AND DIMENSIONS

STOCK #	A.	B.	C.	D.	QTY
TL150L	0 TO 1 3/8"	2 1/2"	1"	1 3/4"	50 pcs.
TL150S	0 TO 1 3/8"	2 1/2"	1"	5/8"	50 pcs.
TL250S	0 TO 1 3/8"	3"	1"	5/8"	50 pcs.
TL3/30	0 TO 1 3/4"	2 1/2"	1 3/4"	5/8"	50 pcs.
TL4/30	0 TO 1 3/4"	2 15/16"	2 3/16"	5/8"	50 pcs.
TL150	0 TO 1 3/8"	2 1/2"	1"	-	50 pcs.
TL250	0 TO 1 3/8"	3"	1"	-	50 pcs.

Clamps are Shipped Unassembled. To Order Assembled Add (A) to Part #

SOME CLAMPS ARE AVAILABLE BAGGED OR CARDED.
CALL FOR INFORMATION AND PRICING.



TL181DR

TL33001

TL70104/2 CARDED
SEE ILLUSTRATION BELOW

'96 OR OLDER FORD FLARESIDE TRUCKS



TL105M

TL106

TL107

TL109

SPECIALTY PRODUCTS

SPECIFICATIONS AND DIMENSIONS

STOCK #	A.	B.	C.	QTY	
TL181DR	-	-	-	50 pcs.	-
TL33001	0 TO 7/8"	2 1/8"	5/8"	50 pcs.	-
TL70104	-	-	-	100 2 pc set	BAGGED
TL70104/2	-	-	-	12 2 pc set	CARDED

Clamps are Shipped Unassembled. To Order Assembled Add (A) to Part #

FORD 150 MOUNTING CLAMPS

TL150L

For mounting truck caps with skirted rails requiring a deeper reach under the truck.

Ford 150 ('04)

TL150S TL250S

Allows for extra reach needed with a shorter bracket. Ford 150 ('04)

TL3/30 TL4/30

Allows for extra reach needed with a shorter bracket. Ford 150 ('04)

TL150

Allows for extra reach needed with a shorter bracket.

Ford 150 & Superduty ('97 to '99)

TL250

Designed for '99 and newer Ford Heavy duty 250 & 350 trucks.

TL105M TL106 TL107 TL109

Designed for '96 and older Ford Flareside Trucks. Call for Information!!



CAP SEAL:

DOUBLE BULB SEAL AND COMPLETE LINE OF FOAMS, TAPES, SEALS AND TRIMS IN STOCK.

CALL FOR ORDER INFORMATION AND FACTORY DIRECT PRICING

SPECIALTY PRODUCTS

TL181DR

D-Ring Tie-Downs that may be applied to most 2 piece mounting clamps.

TL33001

Specialty Clamp for General Use. (Assembled Only)

TL70104 TL70104/2

A tool box mounting kit with 2 clamps for attaching most tool boxes to the truck bed. Must have no less than 5/8" between the truck rail and the tool box. (Bagged or Carded 2 per)



PH: 574-264-0658 • FAX: 800-348-7629

800-348-7625

GENERAL APPLICATION CHART

TRUCK MODEL	ALUMINUM RAILS	FIBERGLASS RAILS	TONNEAU COVERS/LIDS
DODGE DAKOTA	TLAD • TL2001 • TL191 • TL2027M TL181 • TL117 • TL118 • TL119 TL120 • TL2 • TL1/3 • TL101 TL30 • TL302 • TL220	TLAD • TL2002 • TL192 • TL182 TL119 • TL125 • TL123 • TL1 TL48 • TL103 • TL1/3 • TL302	TL2021 • TL2027 • TL2028 • TL118 TL119 • TL101 • TL102 • TL105 TL5 • TL8 • TL48 • TL49
DODGE RAM	TLAD • TL2001 • TL191 • TL2027M TL181 • TL117 • TL118 • TL119 TL120 • TL2 • TL1/3 • TL1043 • TL101 TL30 • TL220 • TL1031	TLAD • TL2002 • TL192 • TL182 TL150L • TL2007 • TL125 • TL123 TL1 • TL48 • TL49 • TL103 • TL1/3 TL3/1 • TL3	TL2021 • TL2027 • TL2028 • TL118 TL119 • TL101 • TL102 • TL103 TL105 • TL106 • TL8 • TL9 • TL49 TL908 • TL1031
DODGE QUAD	TLAD • TL2001 • TL191 • TL2027M TL181 • TL117 • TL118 • TL119 TL120 • TL1/3 • TL1043 • TL101 • TL3/1 TL30 • TL220 • TL1031	TLAD • TL2002 • TL192 • TL182 TL150L • TL2007 • TL125 • TL123 TL1 • TL48 • TL49 • TL103 • TL1/3 TL3/1 • TL3	TL2021 • TL2027 • TL2028 • TL118 TL119 • TL101 • TL102 • TL103 TL105 • TL106 • TL8 • TL9 • TL49 TL908 • TL1031
FORD RANGER	TLAD • TL2001 • TL191 • TL2027M TL181 • TL117 • TL118 • TL119 TL120 • TL2 • TL1/3 • TL101 TL30 • TL302 • TL220	TLAD • TL2002 • TL192 • TL182 TL119 • TL125 • TL123 • TL1 TL48 • TL103 • TL1/3 • TL302	TL2021 • TL2027 • TL2028 • TL118 TL119 • TL101 • TL102 • TL105 TL5 • TL8 • TL48 • TL49
FORD F-SERIES	TLAD • TL2001 • TL191 • TL2027M TL181 • TL117 • TL118 • TL119 TL120 • TL1/3 • TL2 • TL101 • TL3/1 TL30 • TL220 • TL1031	TLAD • TL2002 • TL192 • TL182 TL150L • TL2007 • TL125 • TL123 TL1 • TL48 • TL49 • TL103 • TL1/3 TL3/1 • TL3	TL2021 • TL2027 • TL2028 • TL118 TL119 • TL101 • TL102 • TL103 TL105 • TL106 • TL8 • TL9 • TL49 TL908 • TL1031
FORD FLARESIDE 1996 or Older	TL106	TL107	TL105M • TL109
FORD F150 1997 to 2003	TL150	TL150	TL150
FORD F150 2004 to 2007	TL250S • TL150S	TL250 • TL150	TL8 • TL48 • TL908 • TL101 TL102 • TL105 • TL1031 • TL118 TL2021 • TL2027 • TL2028
FORD SUPER DUTY 1999 to 2007	TL150 • TL250 • TL3 • TL2007	TL150 • TL250 • TL3 • TL2007	TL103 • TL106 • TL107 • TL1043 TL250
FORD SPORT TRAC 1999 to 2007	TL2091 • TL2092 • TL2095 • TL2097 TL111S • TL111M • TL111L • TL111LL TL111XL	TL2091 • TL2095 • TL2097 • TL111S TL111M • TL111L • TL111LL • TL111XL	TL2091 • TL2093 • TL2094 • TL2097 TL111S • TL111M • TL111L • TL111LL TL111XL
CHEVY SPORTSIDE 1999 to 2007	TL2091 • TL2092 • TL2095 • TL2097 TL111S • TL111M • TL111L • TL111LL TL111XL	TL2091 • TL2095 • TL2097 • TL111S TL111M • TL111L • TL111LL • TL111XL	TL2091 • TL2093 • TL2094 • TL2097 TL111S • TL111M • TL111L • TL111LL TL111XL
CHEVY SPORTSIDE 1998 or Older	TL2061	TL2061 • TL2067	TL2063 • TL2071
CHEVY C/K	TLAD • TL2001 • TL191 • TL2027M TL181 • TL117 • TL118 • TL119 TL120 • TL2 • TL101 • TL1/3 • TL1043 TL30 • TL220 • TL1031	TLAD • TL2002 • TL192 • TL182 TL150L • TL2007 • TL125 • TL1 • TL3 TL48 • TL49 • TL103 • TL1/3 • TL3/1	TL2021 • TL2027 • TL2028 • TL118 TL119 • TL101 • TL102 • TL103 TL105 • TL106 • TL8 • TL9 • TL49 TL908 • TL1031
CHEVY S-10	TLAD • TL2001 • TL191 • TL2027M TL181 • TL117 • TL118 • TL119 TL120 • TL2 • TL1/3 • TL101 TL30 • TL302 • TL220	TLAD • TL2002 • TL192 • TL182 TL119 • TL125 • TL123 • TL1 TL48 • TL103 • TL1/3 • TL302	TL2021 • TL2027 • TL2028 • TL118 TL119 • TL101 • TL102 • TL105 TL5 • TL8 • TL48 • TL49
GMC SONOMA	TLAD • TL2001 • TL191 • TL2027M TL181 • TL117 • TL118 • TL119 • TL120 TL1/3 • TL1043 • TL2 • TL101 TL3/1 • TL30 • TL220 • TL1031	TLAD • TL2002 • TL192 • TL182 TL150L • TL2007 • TL125 • TL123 TL1 • TL48 • TL49 • TL103 • TL1/3 TL3/1 • TL3	TL2021 • TL2027 • TL2028 • TL118 TL119 • TL101 • TL102 • TL103 TL105 • TL106 • TL8 • TL9 • TL49 TL908 • TL1031
GMC SIERRA	TLAD • TL2001 • TL191 • TL2027M TL181 • TL117 • TL118 • TL119 • TL120 TL1/3 • TL1043 • TL2 • TL101 TL3/1 • TL30 • TL220 • TL1031	TLAD • TL2002 • TL192 • TL182 TL150L • TL2007 • TL125 • TL123 TL1 • TL48 • TL49 • TL103 • TL1/3 TL3/1 • TL3	TL2021 • TL2027 • TL2028 • TL118 TL119 • TL101 • TL102 • TL103 TL105 • TL106 • TL8 • TL9 • TL49 TL908 • TL1031
ISUZU PICKUP	TLAD • TL2001 • TL191 • TL2027M TL181 • TL117 • TL118 • TL119 TL120 • TL2 • TL101 • TL1/3 TL30 • TL302 • TL220	TLAD • TL2002 • TL192 • TL182 TL119 • TL125 • TL123 • TL1 TL48 • TL103 • TL1/3 • TL302	TL2021 • TL2027 • TL2028 • TL118 TL119 • TL101 • TL102 • TL105 TL5 • TL8 • TL48 • TL49
MAZDA PICKUP	TLAD • TL2001 • TL191 • TL2027M TL181 • TL117 • TL118 • TL1/3 TL1043 • TL101 • TL3/1 • TL30 TL220 • TL1031	TLAD • TL2002 • TL192 • TL182 TL150L • TL2007 • TL125 • TL1 • TL3 TL48 • TL49 • TL103 • TL1/3 • TL3/1	TL2021 • TL2027 • TL2028 • TL118 TL119 • TL101 • TL102 • TL103 TL105 • TL106 • TL8 • TL9 • TL49 TL908 • TL1031
MITSUBISHI	TLAD • TL2001 • TL191 • TL2027M TL181 • TL117 • TL118 • TL119 • TL2 TL1/3 • TL101 • TL30 • TL302 • TL220	TLAD • TL2002 • TL192 • TL182 TL119 • TL125 • TL123 • TL1 TL48 • TL103 • TL1/3 • TL302	TL2021 • TL2027 • TL2028 • TL118 TL119 • TL101 • TL102 • TL105 TL5 • TL8 • TL48 • TL49
NISSAN	TLAD • TL2001 • TL191 • TL2027M TL181 • TL117 • TL118 • TL119 • TL2 TL1/3 • TL101 • TL30 • TL302 • TL220	TLAD • TL2002 • TL192 • TL182 TL119 • TL125 • TL123 • TL1 TL48 • TL103 • TL1/3 • TL302	TL2021 • TL2027 • TL2028 • TL118 TL119 • TL101 • TL102 • TL105 TL5 • TL8 • TL48 • TL49
NISSAN FRONTIER	TLAD • TL2001 • TL191 • TL2027M TL181 • TL117 • TL118 • TL119 • TL120 TL1/3 • TL2 • TL150S • TL101 TL30 • TL302 • TL220	TLAD • TL2002 • TL192 • TL182 TL123 • TL125 • TL1 • TL1/3 • TL150 TL103	TL8 • TL48 • TL908 • TL101 TL102 • TL105 • TL1031 • TL118 TL2021 • TL2027 • TL2028
TOYOTA PICKUP	TL101 • TL140 • TL104M • TL194 TL184 • TL2004 • TL21 • TLAD • TL119 • TL30 • TL1/3 • TL220 • TL302	TLAD • TL119 • TL2005 • TL195 TL185 • TL1/3 • TL101 • TL21 • TL48 TL302	TL101 • TL2004 • TL184 • TL104 TL104M • TL102 • TL119 • TL5 TL8 • TL48 • TL49 • TL105
TOYOTA T-100	TL101 • TL140 • TL104M • TL194 TL184 • TL2004 • TL21 • TLAD • TL119 • TL30 • TL1/3 • TL220 • TL302	TLAD • TL119 • TL2005 • TL195 TL185 • TL1/3 • TL101 • TL21 • TL48 TL302	TL101 • TL2004 • TL184 • TL104 TL104M • TL102 • TL119 • TL5 TL8 • TL48 • TL49 • TL105

Call Us at 800-348-7625 for Information on All Other Models

MOST POPULAR APPLICATION CHART

TRUCK MODEL	FIBERGLASS CAP	ALUMINUM CAP	TUBED RAIL/LID	FLAT RAIL/LID
CHEVY/GMC				
Silverado/Sierra	TL2002 • TL1 • TLAD	TL2001 • TL2 • TLAD	TL2027 • TL8 • TL105	TL118 • TL123 • TL101
1500/2500/3500				TL103
S-10 Sonoma	TL2002 • TL1 • TLAD	TL2002 • TL2 • TLAD	TL2027 • TL8 • TL105	TL118 • TL123 • TL101
Sportside ('98 or older)	TL2061 • TL2067	TL2061	TL2063	TL2071
Sportside ('99 or newer)	TL2091 • TL111S • TL111M	TL2091 • TL111S	TL111SL	TL2094 • TL111S
Colorado/Canyon	TL220 • TL1031	TL220 • TL1031	TL2027 • TL8 • TL105	TL118 • TL123 • TL101
<i>Cross Bed Tool Box/Replacement for J-Hook for Silverado, Sierra, Sonoma, Colorado and Canyon is TL70104</i>				
FORD				
F150 ('97 to '04)	TL150 • TL2002 • TL1 • TLAD	TL2002 • TL2 • TLAD • TL150	TL2027 • TL8 • TL105	TL118 • TL123 • TL101
F150 ('04 or newer)	TL150 • TL250 • TL2002	TL150S • TL250S • TL2002	TL2027 • TL8 • TL105	TL118 • TL123 • TL101
Ranger	TL2002 • TL1 • TLAD	TL2001 • TL2 • TLAD	TL2027 • TL8 • TL105	TL118 • TL123 • TL101
Super Duty	TL150 • TL250 • TL2002	TL150 • TL250 • TL2002	TL2027 • TL8 • TL105	TL118 • TL123 • TL101
Flareside ('04 or newer)	TL33006	TL33006	TL33005	TL33006
Sport Trac	TL2091 • TL111S • TL111M	TL2091 • TL111S •	TL111SL	TL2094 • TL111S
<i>Cross Bed Tool Box/Replacement for J-Hook for F150, Ranger and Super Duty is TL70104</i>				
DODGE				
Dakota	TL2002 • TL1 • TLAD	TL2001 • TL2 • TLAD	TL2027 • TL8 • TL105	TL118 • TL123 • TL101 • TL103
Ram (1500/2500/3500)	TL2002 • TL1 • TLAD	TL2001 • TL2 • TLAD	TL2027 • TL8 • TL105	TL118 • TL123 • TL101 • TL103
<i>Cross Bed Tool Box/Replacement for J-Hook for Dakota and Ram is TL70104</i>				
NISSAN				
Frontier '04-'05 w/o utility track	TL2002 • TL1 • TLAD	TL2001 • TL2 • TLAD	TL2027 • TL8 • TL105	TL118 • TL123 • TL101 • TL103
Frontier '05 w/utility track	TL1031 • TL101	TL1031 • TL101	TL105	TL101
Titan w/o utility track	TL2002 • TL1 • TLAD	TL2001 • TL2 • TLAD	TL2027 • TL8 • TL105	TL118 • TL123 • TL101 • TL103
Titan w/ utility track	TL3007 • TL1	TL3007 • TL1	TL830	TL402
<i>Cross Bed Tool Box/Replacement for J-Hook for Frontier w/o utility track and Titan w/o utility track is TL70104</i>				
TOYOTA				
Tacoma ('04 or older)	TL2005 • TL196 • TL302	TL2005 • TL104 • TL104M	TL2027 • TL8 • TL105	TL118 • TL123 • TL101 • TL103
Tacoma ('05 or newer)	TL33008 • TL3	TL33008 • TL1	TL70107	TL70109
Tundra	TL2002 • TL1 • TLAD	TL2001 • TL2 • TLAD	TL2027 • TL8 • TL105	TL118 • TL123 • TL101 • TL103
<i>Cross Bed Tool Box/Replacement for J-Hook for Tundra is TL70104</i>				



PH: 574-264-0658 • FAX: 800-348-7629
800-348-7625

LAVANTURE PRODUCTS STOCKS AND DISTRIBUTES A FULL LINE OF QUALITY SEALANTS, CAULKS, TRIMS, EPDM SEALS AND PVC FOAM TAPES.

All products are in-stock for immediate shipment. Call today for these innovative product catalogs.



22825 Gallatin Way
Post Office Box 2088
Elkhart, IN 46515-2088

Phone: 574-264-0658
Fax: 574-264-6601
E-mail: sales@lavanture.com

www.lavanture.com